

## APPLICATION

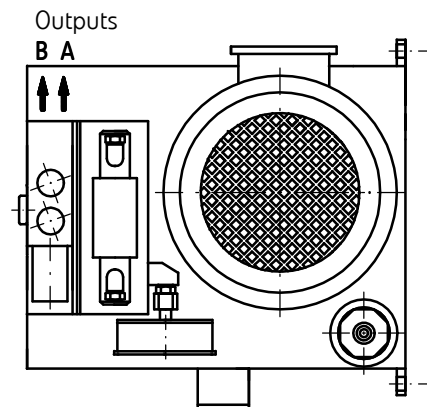
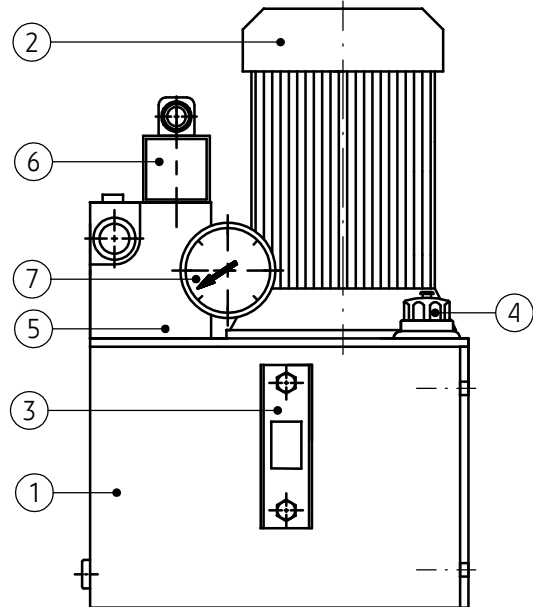
Power packs type **UHMZ...** serve to drive and control hydraulic receivers (cylinders or hydraulic motors). They can also be used as the drive for small presses, lifts, machine tools and other shop machines.

**The power pack is intended to operate for short periods of time.**

## DESCRIPTION

Main element of the power pack is steel tank (1) equipped with the oil level indicator (3) and the filler (4). Electric motor - pump assembly (2) is mounted on the tank. The pump is submerged in the oil and is driven by the motor by means of elastic coupling. On the plate there is also mounted the block (5) with hydraulic and control equipment - directional control valve (6) and pressure gauge (7).

The power pack can be extended using different control block for specific pump system, e.g. the block made sandwich plate equipment – based as well as using different voltage for controlling directional valves.

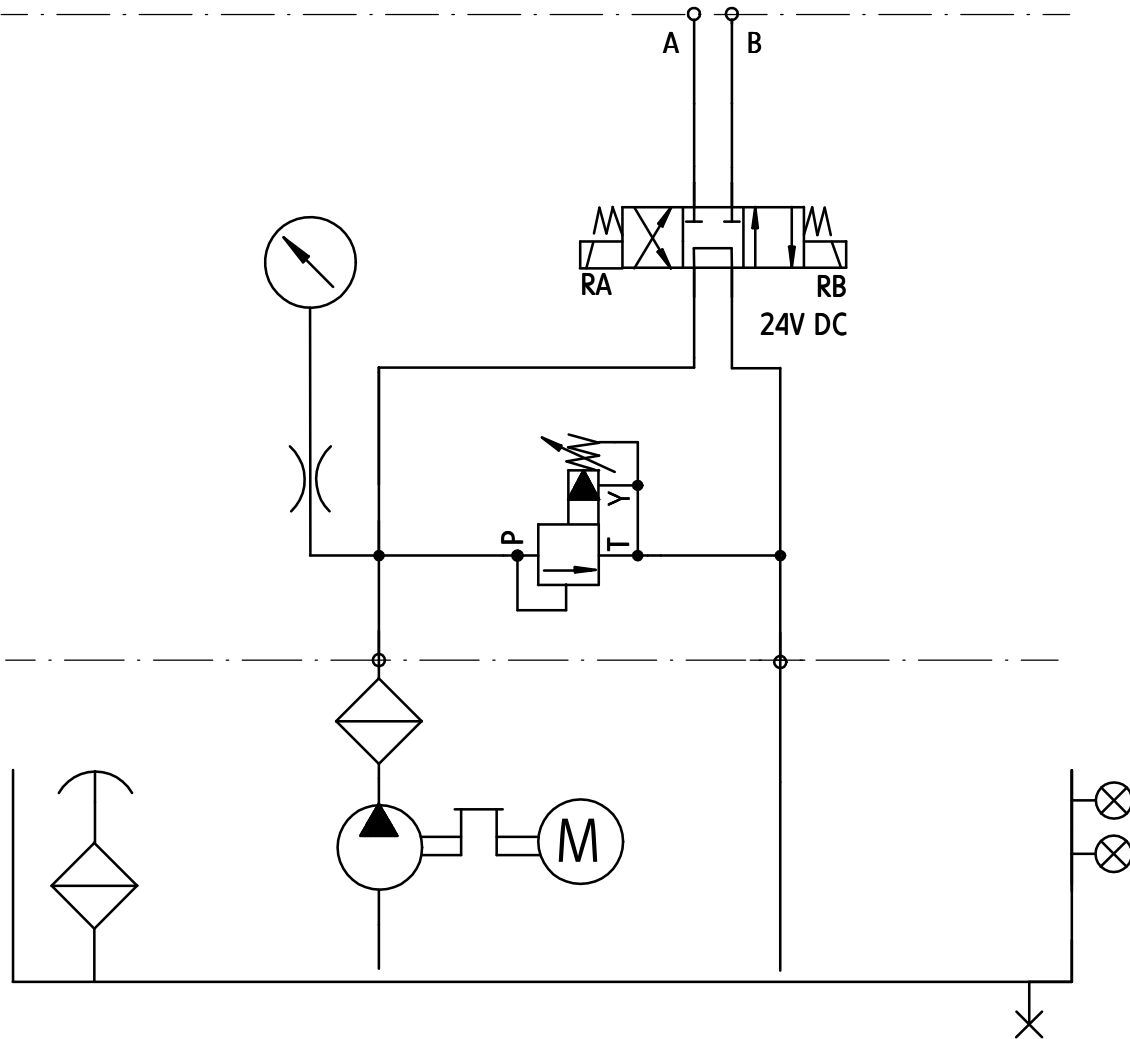


## TECHNICAL DATA (table1)

Power pack type	UHMZ 5/16 -1 - G	UHMZ 5/12 -1,6 - G
Nominal capacity of the tank	5 dm <sup>3</sup>	
Type of pump	PZ3-1/20-2-1-22	PZ3-1,6/20-2-1-22
Unit pump displacement	Q = 1 cm <sup>3</sup> /revolution	Q = 1,6 cm <sup>3</sup> /revolution
Nominal operating pressure	16 MPa	12 MPa
Motor type	SKg 80- 4B	
Motor power (for instant)	0,75 kW; 1400 revolutions/min	
Motor supply voltage	3 x 400V 50Hz	
Supply voltage of directional control valve (other, if agreed)	24V DC	
Medium	hydraulic oil; viscosity 2,8 up to 380 mm <sup>2</sup> /s at operating temperature	
Recommended filtration	16 μm	
Operating temperature range	10 up to 60 °C	

## HYDRAULIC SCHEME

Outlets A, B of the power pack - connections G 3/8"



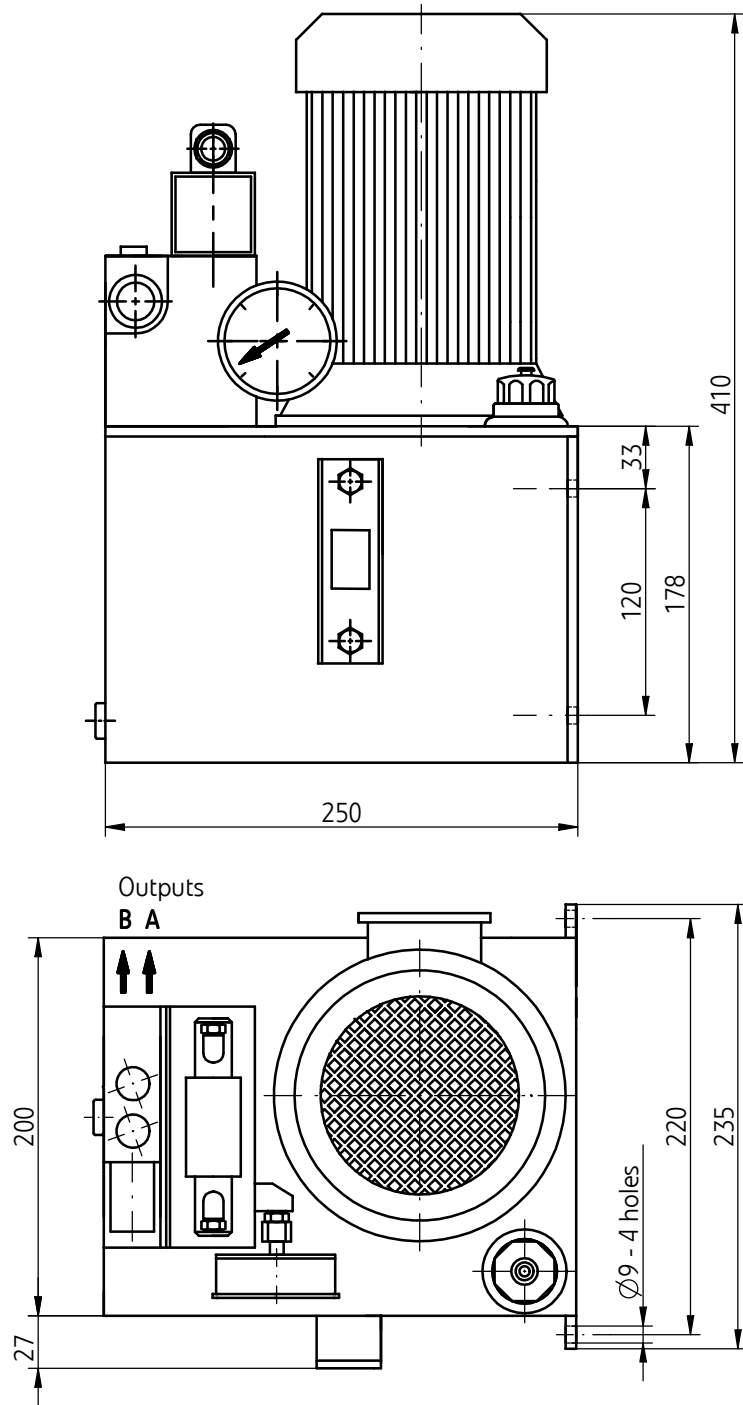
### NOTE:

Power packs can be made according to any other hydraulic scheme, for other control and supply voltage of electric motors, after prior consultation with the manufacturer.

### Hydraulic equipment that can be used for the system (table 2)

Directional spool valve, electrically operated	<b>WE 6</b>	according to WK 499 502
Directional spool valve, hydraulically operated	<b>WH 6</b>	according to WK 420 170
Directional spool valve, hand lever operated	<b>WMM 6</b>	according to WK 420 170
Directional spool valve, rotary knob operated	<b>WMD 6</b>	according to WK 420 170
Pressure reducing valves, sandwich plate	<b>UZRC 6</b>	according to WK 493 061
Pressure sequence valves, sandwich plate	<b>UZKC 6</b>	according to WK 393 060
Check valves, sandwich plate	<b>WZC 6</b>	according to WK 450 355
Double check valves, pilot operated	<b>ZZS 6</b>	according to WK 450 360
Double check valves, sandwich plate	<b>ZZFS 6</b>	according to WK 450 232
Pressure switches (with subplate UŁBC 6)	<b>USPH 4</b>	according to WK 450 398
Pressure relief valves	<b>UZPR 6</b>	according to WK 494 060

## OVERALL AND CONNECTION DIMENSIONS



## HOW TO ORDER

Any order should be addressed to the manufacturer according to the table 1.

Coding example: UHMZ 5/12-1,6 - G

Further requirements in clear text

PONAR Silesia S.A.  
ul. Wojska Polskiego 29  
34-100 Wadowice  
tel. +48 33 823 44 41 - 45  
fax. +48 33 823 39 36  
[www.ponar-silesia.pl](http://www.ponar-silesia.pl)

