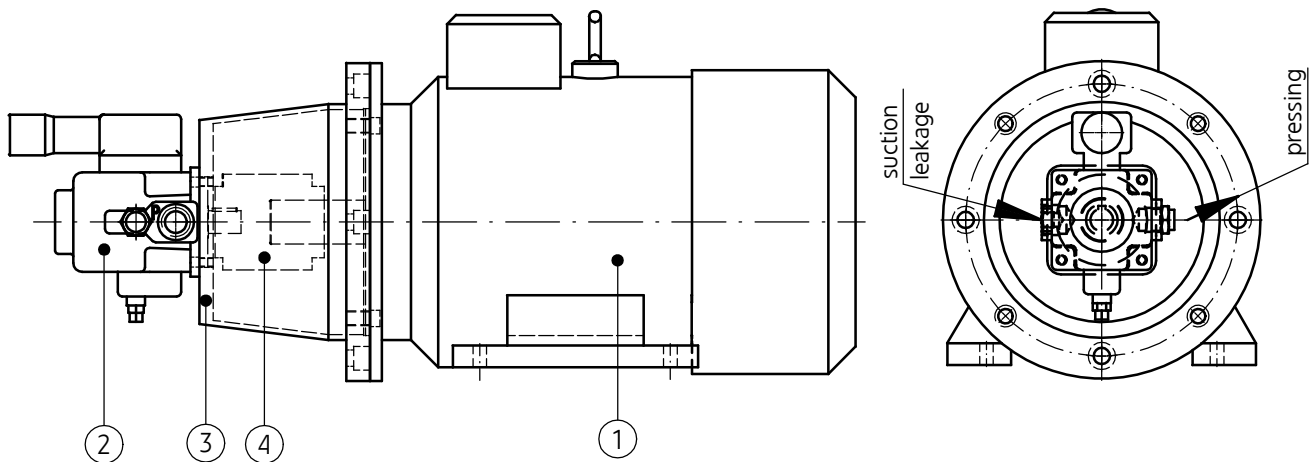


APPLICATION

Tandem pumps are designed to use in hydraulic systems, in which working medium is mineral oil. Tandem pumps are intended to supply hydraulic system with hydraulic fluid with required pressure and displacement parameters.

DESCRIPTION OF OPERATION



Tandem pumps are constructed on the basis of variable displacement vane pumps (2). The pumps (2) are driven by asynchronous three-phase motors (1) by means of elastic couplings (4). Main elements of tandem pumps are:

- (1) - Electric motor
- (2) - Vane pump
- (3) - Connecting element
- (4) - Elastic coupling

TECHNICAL DATA

Item	Displacement [cm ³ /revolution]	Power [kW]	Motor type (SIEMENS)	Maximum pressure [Mpa]	Catalogue number
Row 1a					
1	17,9	5,5	1LA7130 4AA66	11	057 6901
2	17,9	7,5	1LA7133 4AA 66	16	057 6902
3	22,1	5,5	1LA7130 4AA66	9,5	057 6903
4	22,1	7,5	1LA7133 4AA 66	13	057 6904
5	22,1	11	1LA7163-4AA66	16	057 6905
6	26,9	7,5	1LA7133 4AA 66	10	057 6906
7	26,9	11	1LA7163-4AA66	15	057 6907
Row 1b					
8	34,5	11	1LA7163-4AA66	12	057 6908
9	34,5	15	1LA7166-4AA66	16	057 6909
10	42,8	15	1LA7166-4AA66	13	057 6910
11	42,8	18,5	1LG4 183-4AA66	16	057 6911
12	53,1	18,5	1LG4 183-4AA66	12,5	057 6912
13	53,1	22	1LG4186-4AA66	15	057 6913
14	69	22	1LG4186-4AA66	12	057 6914
15	69	30	1LG4207-4AA66	15	057 6915
16	86,2	30	1LG4207-4AA66	13	057 6916
17	86,2	37	1LG4220-4AA66	15	057 6917
18	105,5	37	1LG4220-4AA66	12,5	057 6918
19	105,5	45	1LG4223-4AA66	15	057 6919
Row 2a					
20	17,9	5,5	1LA7130 4AA61	11	057 7130
21	17,9	7,5	1LA7133 4AA 61	16	057 7131
22	22,1	5,5	1LA7130 4AA61	9,5	057 7132
23	22,1	7,5	1LA7133 4AA 61	13	057 7133
24	22,1	11	1LA7163-4AA61	16	057 7134
25	26,9	7,5	1LA7133 4AA 61	10	057 7135
26	26,9	11	1LA7163-4AA61	15	057 7136
Row 2b					
27	34,5	11	1LA7163-4AA61	12	057 7137
28	34,5	15	1LA7166-4AA61	16	057 7138
29	42,8	15	1LA7166-4AA61	13	057 7139
30	42,8	18,5	1LG4 183-4AA61	16	057 7140
31	53,1	18,5	1LG4 183-4AA61	12,5	057 7141

HOW TO ORDER

Pump assembly should be ordered according to the above designation – catalogue number.

Designation example: pump assembly **057 6901**

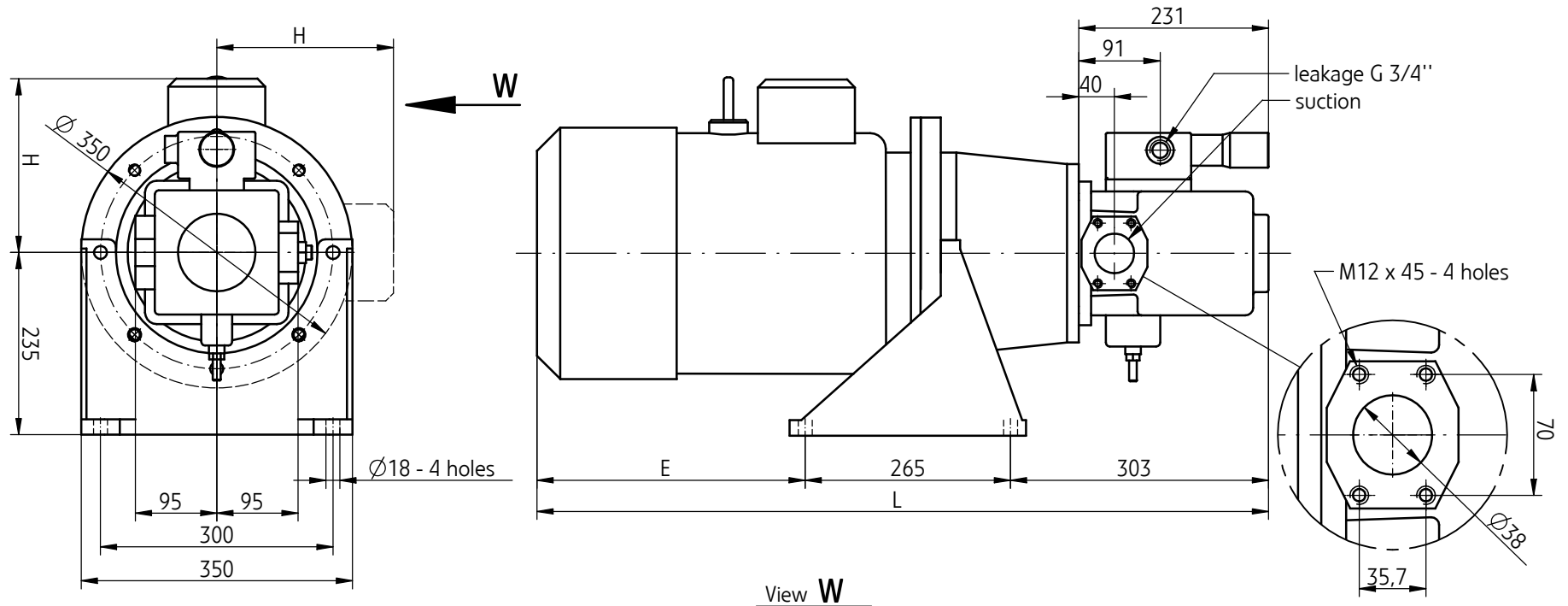
OVERALL AND CONNECTION DIMENSIONS

Items 27-31/catalogue numbers: 057 7137 - 057 7141

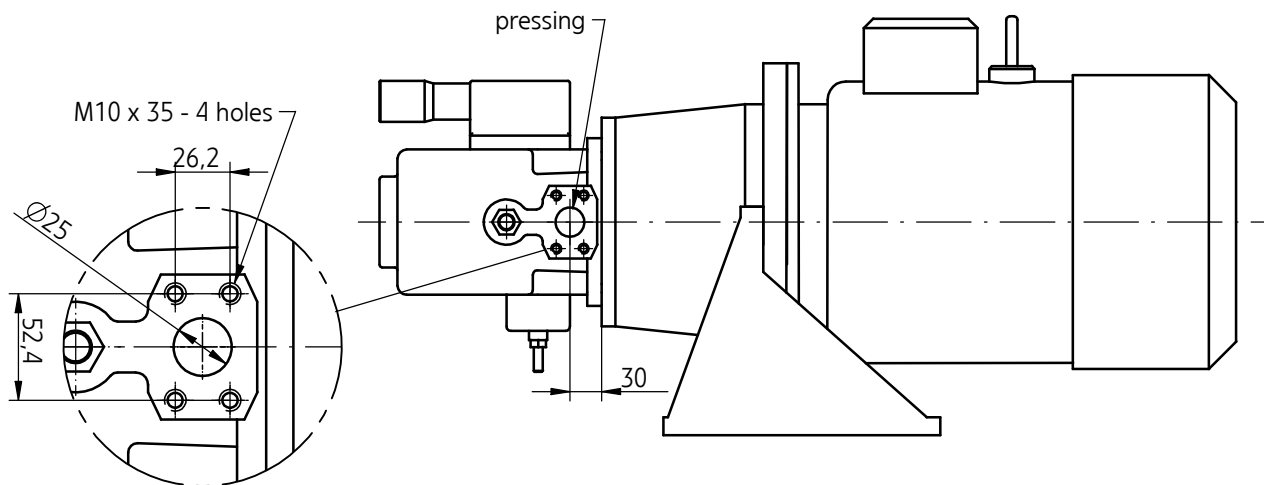
Catalogue number	Dimensions			Cavity for leakage
	E	H	L	
057 7137	439	197	1007	G 3/8"
057 7138	479	197	1047	
057 7139	479	197	1047	
057 7140	563	258	1131	
057 7141	563	258	1131	

OVERALL AND CONNECTION DIMENSIONS

Items 27-31/ catalogue numbers: 057 7137 - 057 7141

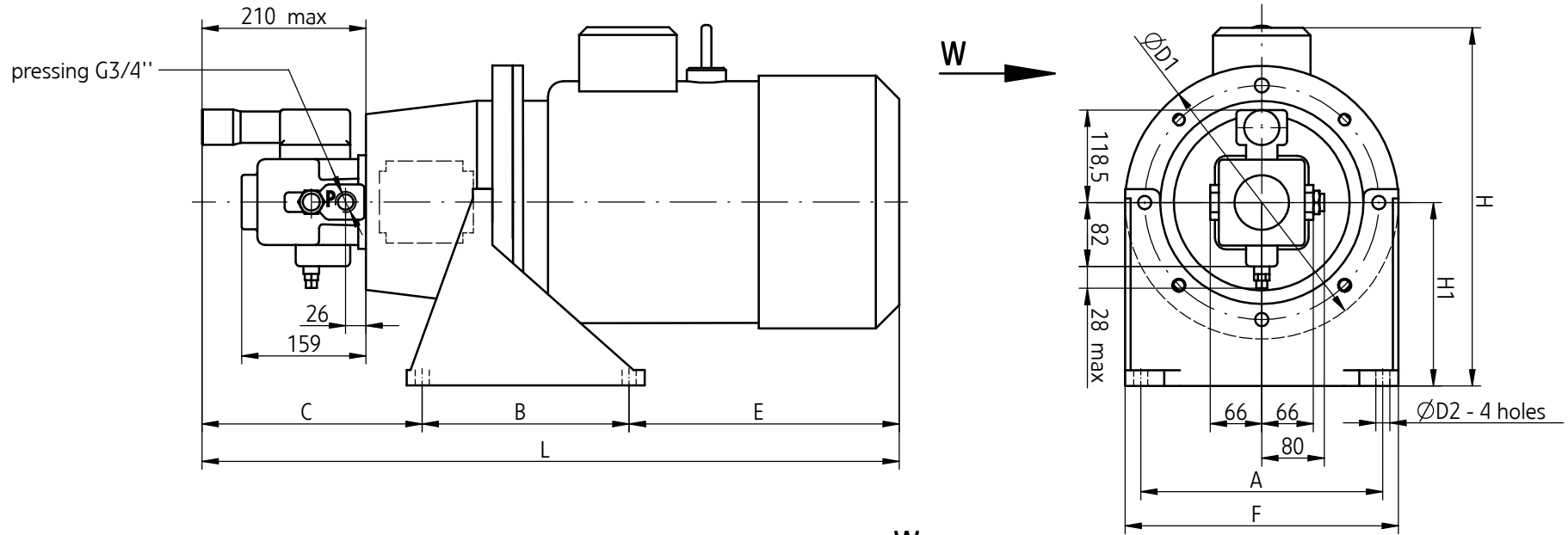


View W

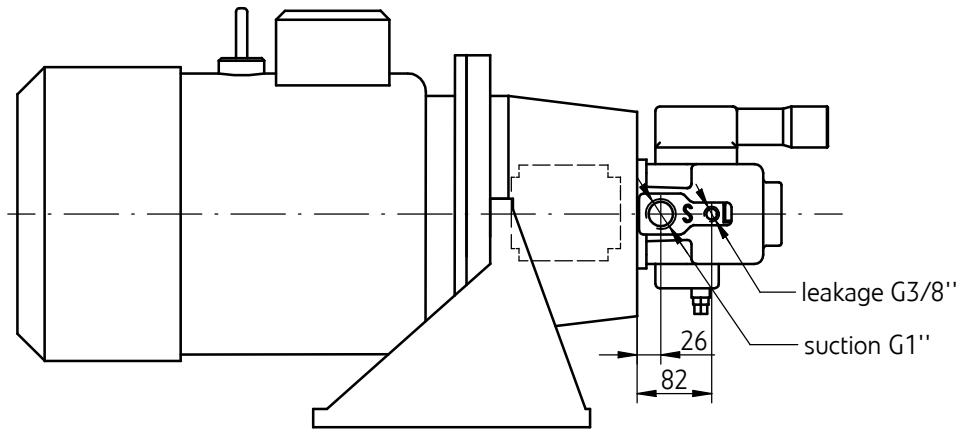


OVERALL AND CONNECTION DIMENSIONS

Items 20-26/catalogue numbers: 057 7130 - 057 7136



View W



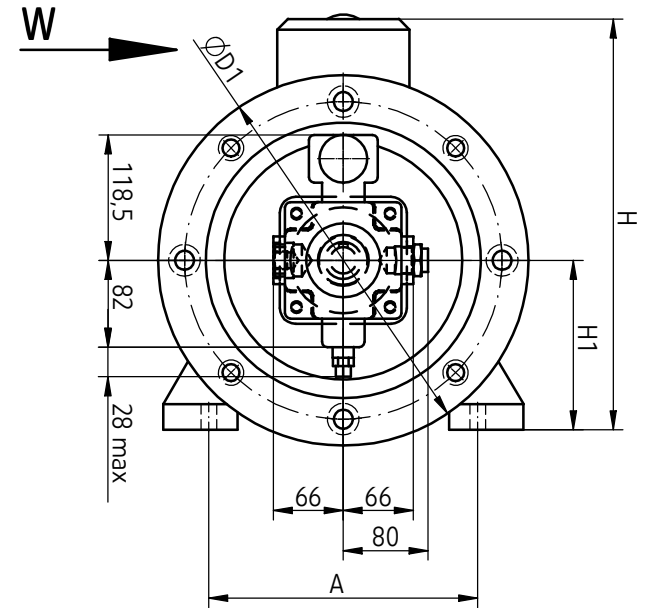
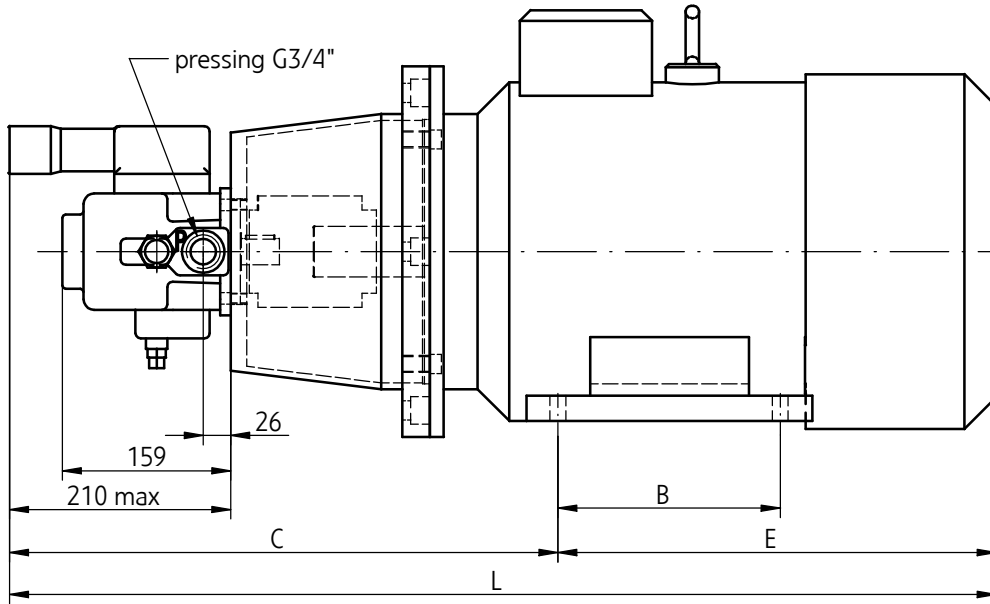
OVERALL AND CONNECTION DIMENSIONS

Items 20-26/catalogue numbers: 057 7130 - 057 7136

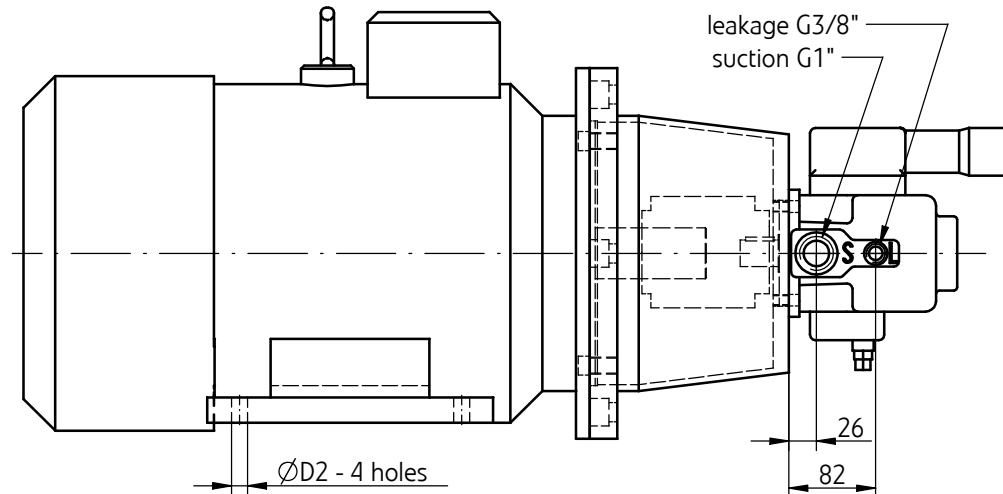
Catalogue number	Dimensions										Cavity		
	A	B	C	φ D1	φ D2	E	F	H	H1	L	suction	pressing	leakage
057 7130	265	225	259	300	14	322	300	382	185	806	G 1"	G 3/4"	G 3/8"
057 7131	265	225	259	300	14	322	300	382	185	806			
057 7132	265	225	259	300	14	322	300	382	185	806			
057 7133	265	225	259	300	14	439	300	382	185	806			
057 7134	300	265	282	350	18	229	350	493	235	986			
057 7135	265	225	259	300	14	439	300	382	185	806			
057 7136	300	265	282	350	18	229	350	493	235	986			

OVERALL AND CONNECTION DIMENSIONS

Items 1-7 / catalogue numbers: 057 6901 - 057 6907



View W



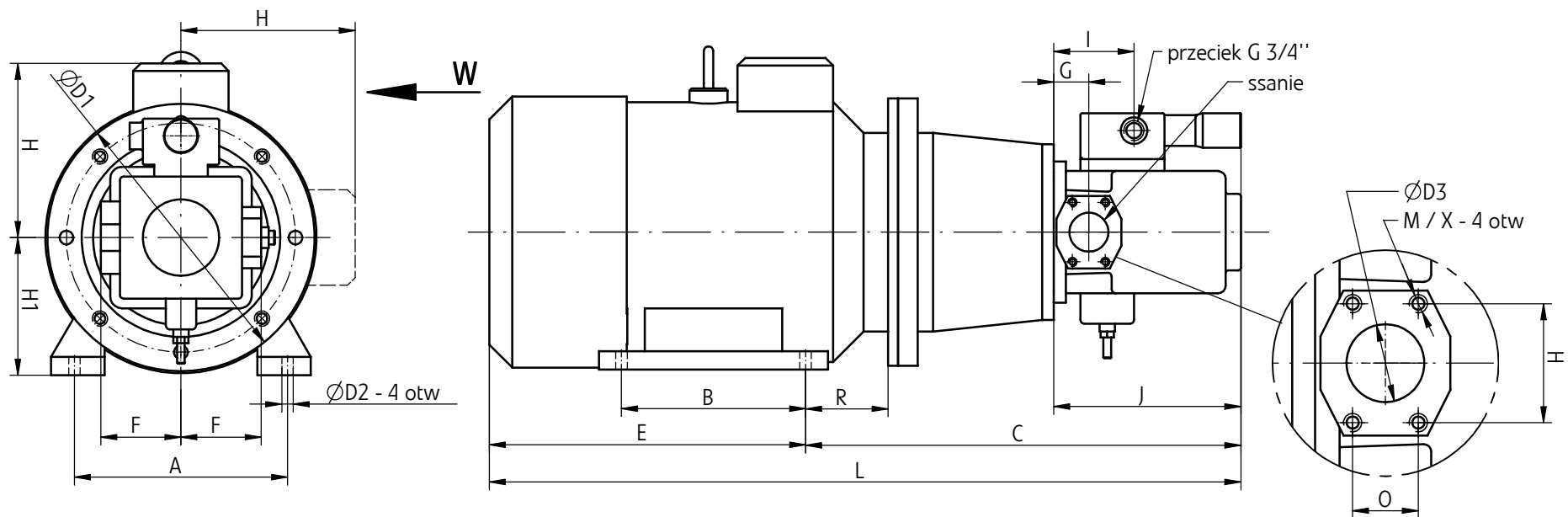
OVERALL AND CONNECQION DIMENSIONS

Items 1-7 / catalogue numbers: 057 6901 - 057 6907

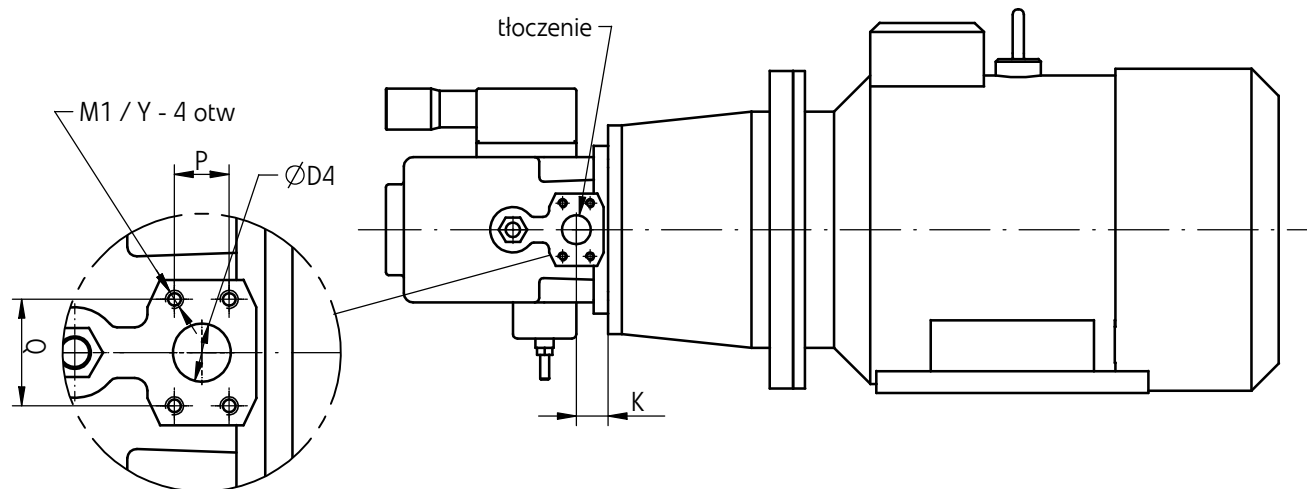
Catalogue number	Dimensions									Cavity		
	A	B	C	φ D1	φ D2	E	H	H1	L	suction	pressing	leakage
057 6901	216	140	254	300	12	283	299	132	806	G 1"	G 3/4"	G 3/8"
057 6902	216	178	254	300	12	283	299	132	806			
057 6903	216	140	254	300	12	283	299	132	806			
057 6904	216	178	254	300	12	283	299	132	806			
057 6905	254	210	506	350	15	370	357	160	986			
057 6906	216	178	254	300	12	283	299	132	806			
057 6907	254	210	506	350	15	370	357	160	986			

OVERALL AND CONNECTION DIMENSIONS

Items 8 -19/catalogue numbers: 057 6908 - 057 6919



widok W



OVERALL AND CONNECTION DIMENSIONS

Items 8 -19/catalogue numbers: 057 6908 - 057 6919

Catalogue number	Dimensions																								Leakage	
	A	B	C	φ D1	φ D2	φ D3	φ D4	E	F	G	H	H1	I	J	K	L	M	X	M1	Y	N	O	P	Q		R
057 6908	254	210	527	350	15	38	25	370	95	40	197	160	91	231	30	1007	M12	45	M10	35	70	35,7	26,2	52,4	95	G 3/4"
057 6909	254	254	527	350	15	38	25	410	95	40	197	160	91	231	30	1047	M12	45	M10	35	70	35,7	26,2	52,4	95	
057 6910	254	254	527	350	15	38	25	410	95	40	197	160	91	231	30	1047	M12	45	M10	35	70	35,7	26,2	52,4	95	
057 6911	279	241	540	350	15	38	25	481	95	40	258	180	91	231	30	1131	M12	45	M10	35	70	35,7	26,2	52,4	108	
057 6912	279	241	540	350	15	38	25	481	95	40	258	180	91	231	30	1131	M12	45	M10	35	70	35,7	26,2	52,4	108	
057 6913	279	279	540	350	15	38	25	481	95	40	258	180	91	231	30	1131	M12	45	M10	35	70	35,7	26,2	52,4	108	
057 6914	279	279	554	350	15	51	32	481	105	46	258	180	105	245	35	1145	M12	45	M10	40	77,8	43	30,2	58,7	108	
057 6915	318	305	582	400	19	51	32	525	105	46	305	200	105	245	35	1217	M12	45	M10	40	77,8	43	30,2	58,7	118	
057 6916	318	305	582	400	19	51	32	525	105	46	305	200	105	245	35	1217	M12	45	M10	40	77,8	43	30,2	58,7	118	
057 6917	356	286	616	450	19	51	32	517	105	46	305	225	105	245	35	1273	M12	45	M10	40	77,8	43	30,2	58,7	133	
057 6918	356	286	616	450	19	51	32	517	105	46	305	225	105	245	35	1273	M12	45	M10	40	77,8	43	30,2	58,7	133	
057 6919	356	311	517	450	19	51	32	517	105	46	305	225	105	245	35	1273	M12	45	M10	40	77,8	43	30,2	58,7	133	

PONAR Silesia S.A.
ul. Wojska Polskiego 29
34-100 Wadowice
tel. +48 33 823 44 41 - 45
fax. +48 33 823 39 36
www.ponar-silesia.pl

